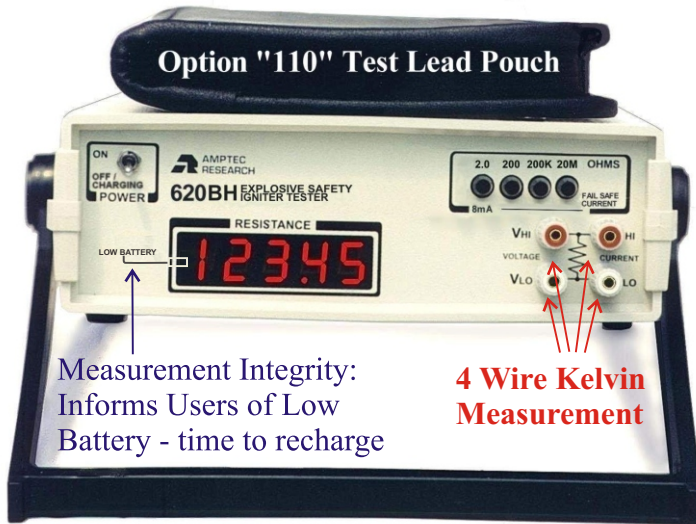
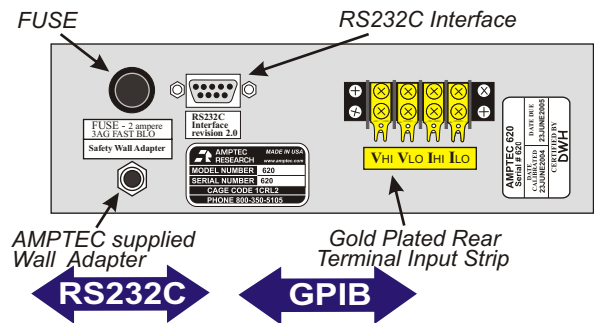


# AMPTEC 620BH Igniter Tester - Low, Medium and High Ranges Ultra-Safe Resistance Measurement



620BH rear panel if fitted with Option "232" and "247"



Option "232" provides safe isolated remote control including readings and range changes of the AMPTEC 620BH, using the RS232C serial Interface from a PC or PLC controller. A National Instruments GPIB/RS232 convertor card is also available for installing the 620A series fail-safe ohmmeter into GPIB based systems.

## 24 Hour/7 Day Operation

Option "247" allows safe isolated continuous operating power - 24 hours a day 7 days a week without batteries. AC Line isolated to 3 KV AC or DC when used with the AMPTEC qualified AC wall adapter. A copy of the UL 61010 AC Line Isolated Test report is also available for review. This option "247" has AC Hipot Tested to 3.0 KV AC per UL 61010 and has been safely used and field tested in over 100 systems for over 7 years continuous now.



## Specifications

620BH Resistance Ranges/Nominal Test Current /Failsafe Current Levels

2.0 ohm	200ohm	200 Kohm	20.0 Mohm
5mA	50µA	0.5 µA	0.01µA
8mA	1.5mA	1.5µA	0.015µA

**Accuracy:** 2 ohm & 200 ohm ranges  $\pm 0.02\%$  of reading  $\pm 0.02\%$  of range, 200K range  $\pm 0.05\%$  of reading  $\pm 0.05\%$  of range, 20 Megohm range  $\pm 2.0\%$  of reading  $\pm 0.2\%$  of range

**Display:** 4½ digit (19999) L.E.D. - 20,000 counts

**Terminal Configuration:** Four-wire Kelvin

**Overload Indication:** Display flashes

**Maximum Input:** 250 VDC or peak AC without damage

**Operating Temperature Range:** 0°C to 50°C

**Temperature Coefficient:**  $\pm 0.002\%$  per °C (from 0°C to 15°C and 35°C to 50°C)

**Conversion Rate:** Approximately 3 per second

**Power:** Rechargeable Ni-Cad batteries (5.0 Ahr) & Charger or Option "247" Continuous Isolated Operating Power

**Size:** 235mm/9" D x 254mm/10" W x 76mm/3" H

**Weight:** 1.6 KG/3.5lbs NET 3 KG/6.5 lbs shipping

## AMPTEC 620BH - Based upon a Proven Design

Originally designed for Boeing Huntsville (BH) the AMPTEC 620BH uses the same failsafe current source and main PCB as the AMPTEC 620A-4 Igniter Tester (*The U.S.A.F Non-Nuclear Munition Safety Board approved the AMPTEC 620A-4 ICT for use on all U.S.A.F Non-nuclear munitions*). The AMPTEC RESEARCH 620BH Igniter Circuit Tester is a portable digital ohmmeter which have been specifically designed for ultra-safe resistance testing on explosive devices (i.e. squibs, igniters, flares, warheads, detonators). The AMPTEC 620BH has an extremely wide dynamic range from low, and medium to high resistance requirements, specifically from 2.0 ohms , 200 ohms , 200 Kohms and 20 Megohms fullscale.

## Designed with Life Protecting Safety in Mind

The AMPTEC 620BH Igniter Tester offers fail-safe current limiting resistor network circuitry to insure that the instrument test currents cannot exceed 8 mA. In the unlikely event of a worst case component failure, the output current limiting network is still in effect.

## Safety Line Isolation Switch When Re-Charging

The AMPTEC 620BH rechargeable NI-CAD batteries are good for up to 1000 recharges. Internal safety line isolation switch automatically disables the battery charging circuit when in the operate mode. Alternately, all power is removed from the output circuitry when in the off/charging mode (*when measuring it won't allow re-charging and when re-charging you can't measure.*). The option "247" allows continuous isolated operating power capability and replaces the internal batteries ( see next column for details.)